

# SECURITY BRACKET KIT

These Instructions apply to the following boilers:

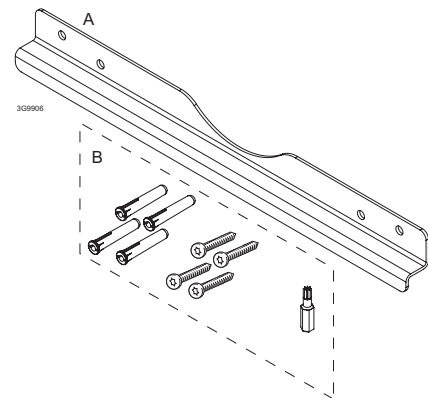
Logic Combi 24.....	G.C. No. 47-348-56	Logic + System 30.....	G.C. No. 41-750-32
Logic Combi 30.....	G.C. No. 47-348-57	Logic Heat 12.....	G.C. No. 41-399-99
Logic Combi 35.....	G.C. No. 47-348-58	Logic Heat 15.....	G.C. No. 41-409-93
Logic + Combi 24.....	G.C. No. 47-348-65	Logic Heat 18.....	G.C. No. 41-409-94
Logic + Combi 30.....	G.C. No. 47-348-66	Logic Heat 24.....	G.C. No. 41-409-95
Logic + Combi 35.....	G.C. No. 47-348-67	Logic Heat 30.....	G.C. No. 41-409-96
Logic System 15.....	G.C. No. 41-750-24	Logic Heat + 12.....	G.C. No. 41-409-97
Logic System 18.....	G.C. No. 41-750-25	Logic Heat + 15.....	G.C. No. 41-409-98
Logic System 24.....	G.C. No. 41-750-26	Logic Heat + 18.....	G.C. No. 41-409-99
Logic System 30.....	G.C. No. 41-750-27	Logic Heat + 24.....	G.C. No. 41-750-21
Logic + System 15.....	G.C. No. 41-750-29	Logic Heat + 30.....	G.C. No. 41-750-22
Logic + System 18.....	G.C. No. 41-750-30	i-mini 24.....	G.C. No. 47-348-77
Logic + System 24.....	G.C. No. 41-750-31	i-mini 30.....	G.C. No. 47-348-78

These instructions must be read in conjunction with the Installation & Servicing Instructions supplied with the boiler.

This kit allows for a secure boiler installation. Using the bracket with the security screws provided prevents the boiler from being removed from the wall.

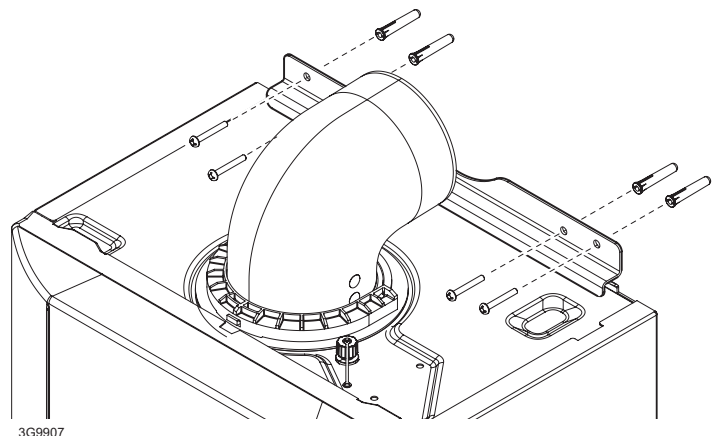
## KIT CONTENTS

- A. Security bracket
- B. Fixing Pack:
  - Screws x 4
  - Wall Plugs x 4
  - Drive Bit x 1
- C. Instructions



## INSTALLING THE SECURITY BRACKET

1. With the boiler in position, offer the bracket to the boiler (as shown).
2. Drill 4 holes for the fixing bracket.
3. Secure the bracket in position using the screws, plugs and tool provided in the fixing pack.



Ideal, P.O. Box 103, National Avenue, Kingston upon Hull, HU5 4JN.  
Telephone: 01482 492 251 Fax: 01482 448 858. Registration No. London 322 137.

February 2011 UIN 205294 A03



Ideal Stelrad Group pursues a policy of continuing improvement in the design and performance of its products. The right is therefore reserved to vary specification without notice.

